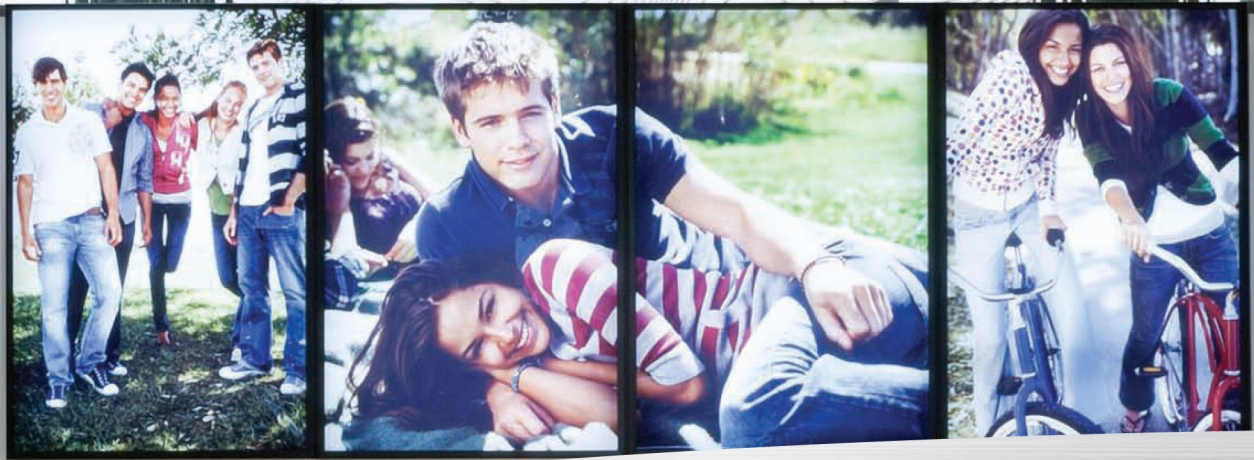




*BACKLIT DISPLAYS AND TRANSPARENCY FRAMES*



# Backlit Displays & Transparency Frames

## Backlit Displays

Stylmark has added lighted signage products & graphic displays to their capabilities with the acquisition of Clearr Corporation, an established world leader in the field of high-impact graphic display products. Stylmark's graphic solutions product line includes a broad offering of backlit displays and lightboxes, poster frames, edgelit displays, and frameless fabric displays.

## Transparency Frames

Stylmark aluminum and steel transparency frames hold graphics between two glazing panels and can be backlit to dramatically highlight your product or message. Seam-free hinged frames swing open to make changing images easy, and a push-release latch or lock holds the frame closed.

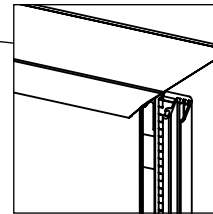
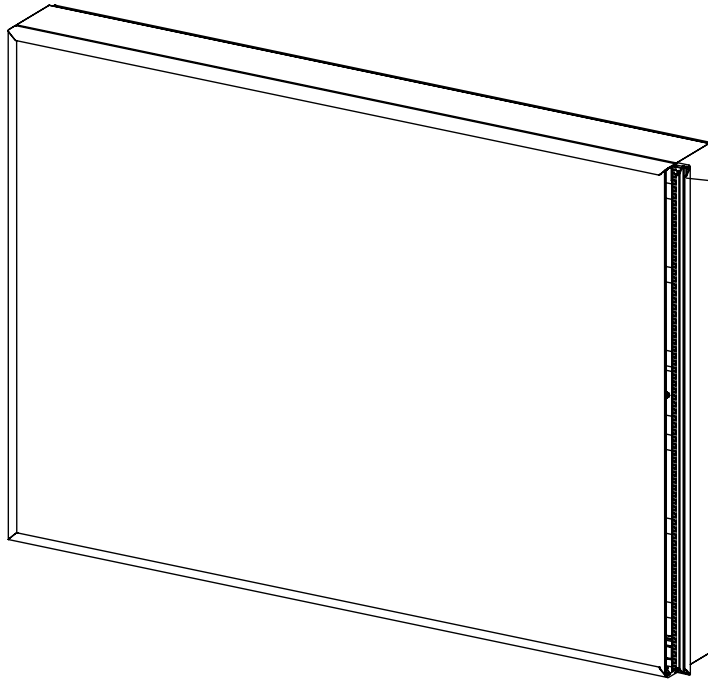
Backlit Displays & Lightboxes	1
LED Lightboxes	7
Frameless Fabric Displays	8
Graphic Frames	9
Standard Hinged Door	11
Heavy Duty Hinged Door	12
Transparency Frames	14
Stationary Frames	18
Face Frames	19
Hardware and Accessories	20

---

# Backlit Displays and Light Boxes

## Luminaire Ultra®

133.4mm Single-Sided Unit



Flip open sides for easy service and graphic access

### Luminaire Ultra® - 133.4mm

#### Outside Dimensions

- Add 12.7mm to nominal size in each dimension

#### Visual Area

- Subtract 19.1mm from nominal size in each dimension

#### Graphic Size

- Same as nominal size

#### Face

- One sheet 3.2mm translucent acrylic
- One sheet 3.2mm clear acrylic

#### Options

- Pedestal with base

Luminaire Ultra® 133.4m <small>*graphic sizes</small>	
Inches	Millimeters
16" x 20"	406.4 x 508.0
20" x 24"	508.0 x 609.6
24" x 24"	609.6 x 609.6
24" x 30"	609.6 x 762.0
24" x 36"	609.6 x 914.4
30" x 40"	762.0 x 1016.0

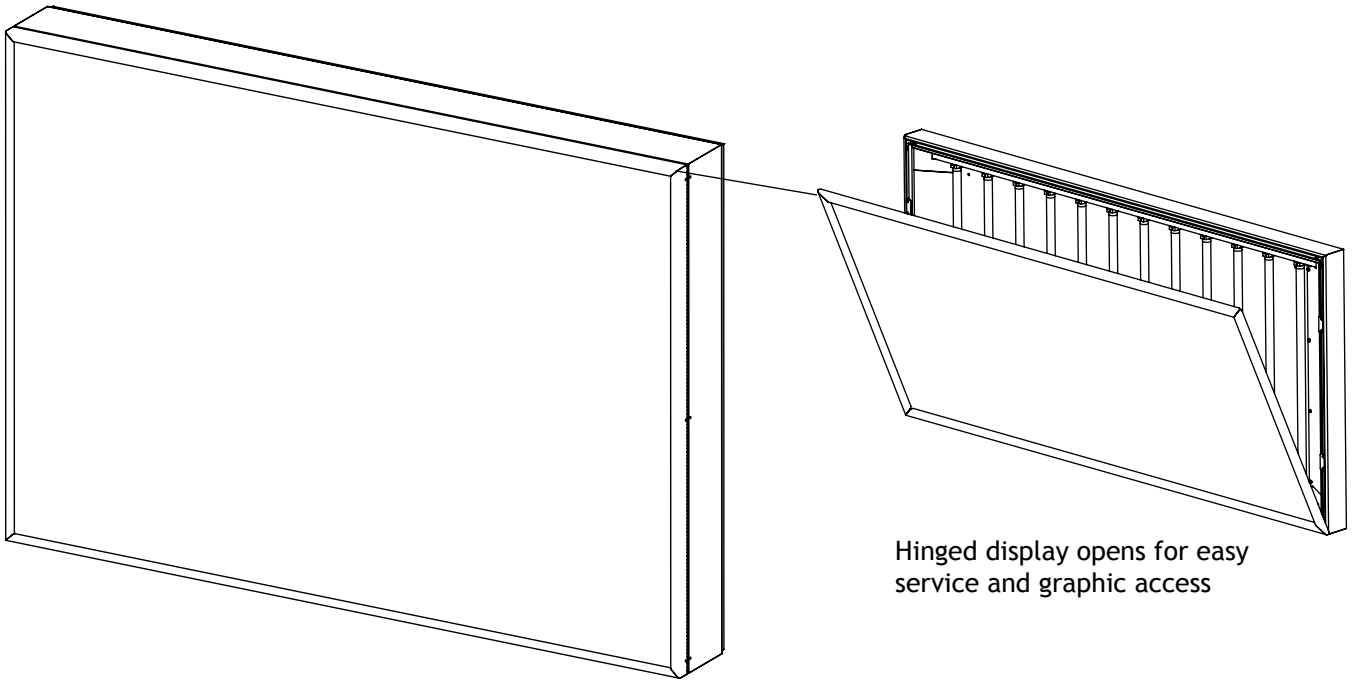
**Note:** Call Stylmark Customer Service for custom size quotes

- Notes:**
- Graphics not included.
  - For interior use only.
  - The Stylmark Luminaire Ultra® is cUL listed.

# Backlit Displays and Light Boxes

## Luminaire Ultra®

168.3mm Single-Sided Unit



Hinged display opens for easy service and graphic access

### Luminaire Ultra® - 168.3mm

**Outside Dimensions**

- Add 14.3mm to nominal size in each dimension

**Visual Area**

- Subtract 47.6mm from nominal size in each dimension

**Graphic Size**

- Same as nominal size

**Face**

- One sheet 4.8mm translucent acrylic
- One sheet 4.8mm clear acrylic

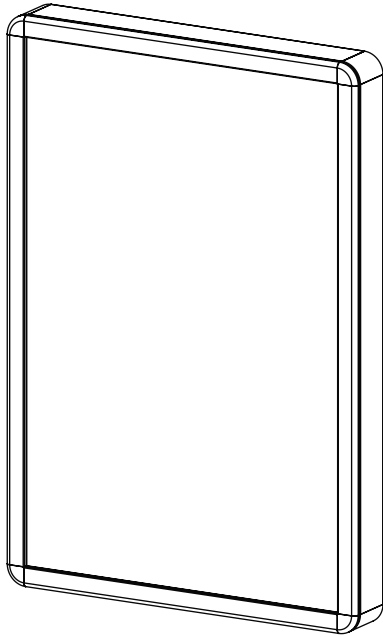
Luminaire Ultra® 168.3mm <small>*graphic sizes</small>	
Inches	Millimeters
24" x 48"	609.6 x 1219.2
36" x 48"	914.4 x 1219.2
40" x 60"	1016.0 x 1524.0
48" x 60"	1219.2 x 1524.0
48" x 72"	1219.2 x 1828.8
48" x 96"	1219.2 x 2438.4

**Note:** Call Stylmark Customer Service for custom size quotes

- Notes:**
- Graphics not included.
  - For interior use only.
  - The Stylmark Luminaire Ultra® is cUL listed.

# Backlit Displays and Light Boxes

## Luminaire Ultra® II Wall-Mount



### Outside Dimensions

- Add 50.8mm to nominal size for each dimension

### Visual Area

- Subtract 19.1mm from nominal size in each dimension

### Graphic Size

- Same as nominal size

### Depth

- 63.5mm or 88.9mm single sided
- 127.0mm double sided

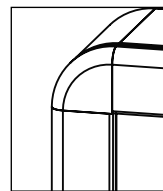
### Options

- Round or square (mitered) corners
- Hanging loops
- On/off switch
- Tamper-resistant feature
- 0.4mm polycarbonate face sheet

Luminaire Ultra® II 63.5mm & 88.9mm <small>*graphic sizes</small>	
Inches	Millimeters
16" x 20"	406.4 x 508.0
20" x 24"	508.0 x 609.6
20" x 30"	508.0 x 762.0
22" x 28"	558.8 x 711.2
24" x 30"	609.6 x 762.0
24" x 36"	609.6 x 914.4
24" x 48"	609.6 x 1219.2
30" x 40"	762.0 x 1016.0
36" x 48"	914.4 x 1219.2
40" x 50"	1016.0 x 1270.0
40" x 60"	1016.0 x 1524.0
43" x 62"	1092.2 x 1574.8
48" x 60"	1219.2 x 1524.0
48" x 72"	1219.2 x 1828.8

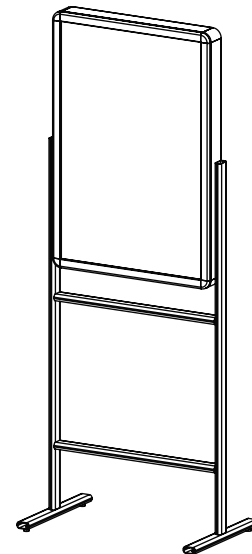
Luminaire Ultra® II 127.0mm Double Sided <small>*graphic sizes</small>	
Inches	Millimeters
16" x 20"	406.4 x 508.0
20" x 24"	508.0 x 609.6
20" x 30"	508.0 x 762.0
22" x 28"	558.8 x 711.2
24" x 30"	609.6 x 762.0
24" x 36"	609.6 x 914.4
24" x 48"	609.6 x 1219.2
30" x 40"	762.0 x 1016.0
36" x 48"	914.4 x 1219.2
40" x 50"	1016.0 x 1270.0
40" x 60"	1016.0 x 1524.0
43" x 62"	1092.2 x 1574.8
48" x 60"	1219.2 x 1524.0
48" x 72"	1219.2 x 1828.8

Note: Call Stylmark Customer Service for custom size quotes



Round or square (mitered) corners available

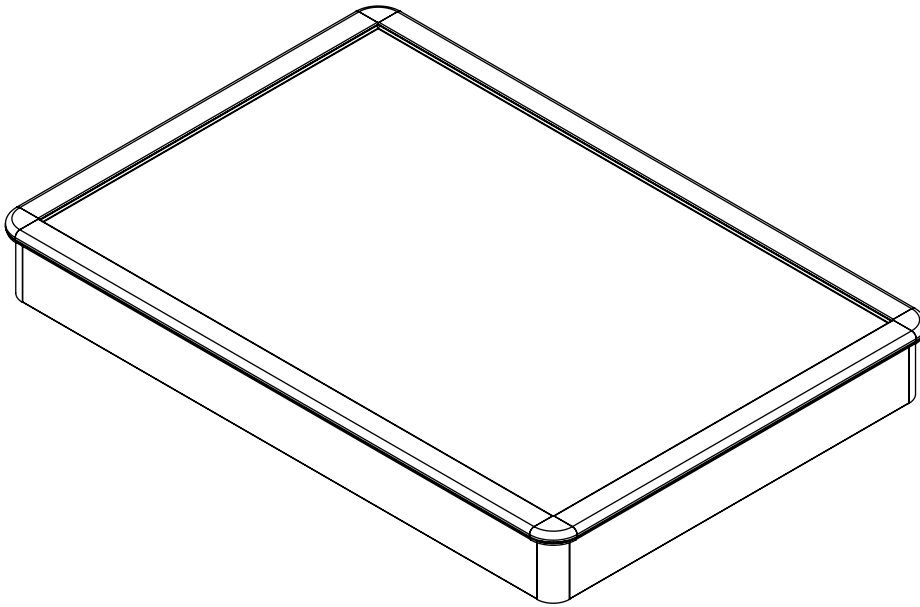
### Pedestal Option



- Notes:**
- Graphics not included.
  - Available in a 127.0mm double-sided unit.
  - Pedestal with feet available.
  - For interior use only.
  - The Stylmark Luminaire Ultra® II is cUL listed.

# Backlit Displays and Light Boxes

## Luminaire Ultra® II Wall-Inset



Luminaire Ultra® II Wall Inset <small>*graphic sizes</small>	
Inches	Millimeters
22" x 28"	558.8 x 711.2
24" x 36"	609.6 x 914.4
30" x 40"	762.0 x 1016.0
36" x 48"	914.4 x 1219.2
48" x 48"	1219.2 x 1219.2

**Note:** Call Stylmark Customer Service for custom size quotes

### Outside Dimensions

- Exposed frame: Add 63.5mm to nominal size in each dimension
- Body: Add 38.1mm to nominal size in each dimension

### Visual Area

- Subtract 19.1mm from nominal size in each dimension

### Depth

- 111.1mm
- Inset Depth: 95.3mm (subtract wall thickness to determine net inset depth)

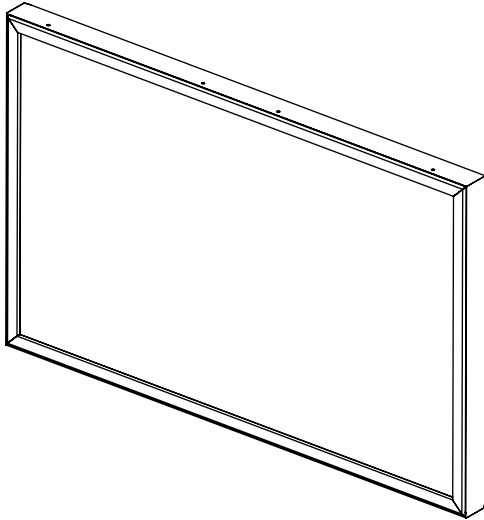
### Options

- Round or square (mitered) corners
- 0.4mm polycarbonate face sheet

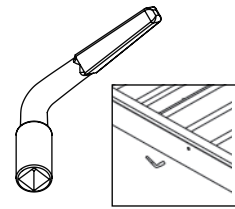
- Notes:**
- Graphics not included.
  - For interior use only.
  - The Stylmark Luminaire Ultra® II is cUL listed.

# Backlit Displays and Light Boxes

## XXLite™ - Large Format Backlit Display



Part #229056  
XXLite Frame Lock Key



### Outside Dimensions

- Add 50.8mm to nominal size in each dimension

### Visual Area

- Subtract 82.6mm from nominal size in each dimension

### Graphic Size

- Same as nominal size

### Depth

- 152.4mm

XXLite™	
*graphic sizes	
Inches	Millimeters
48" x 96"	1219.2 x 2438.4
60" x 96"	1524.0 x 2438.4
60" x 120"	1524.0 x 3048.0
96" x 96"	2438.4 x 2438.4
96" x 120"	2438.4 x 3048.0
96" x 144"	2438.4 x 3657.6

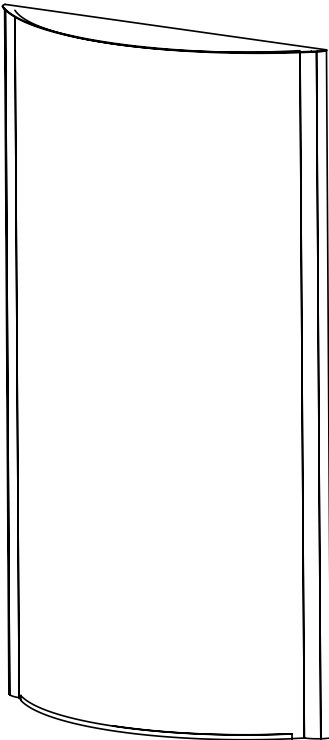
**Note:** Call Stylmark Customer Service for custom size quotes

- Notes:**
- Graphics not included.
  - Frame locking system to prevent any tampering with unit.
  - XXLite™ is intended to be wall mounted.
  - For interior use only.
  - The Stylmark XXLite™ is cUL listed.

# Backlit Displays and Light Boxes

## Panorama™

### Single-Sided



**Graphic Size**

- Same as nominal

**Lamps**

- Shipped with 5000K lamps

**Face**

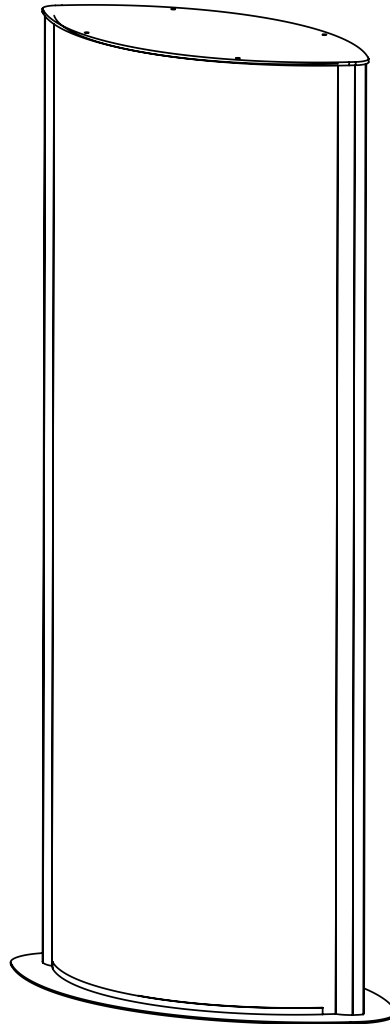
- 1.6mm white acrylic on each side

**Options**

- Single or double sided
- Floor-mounted
- Wall-mounted
- Suspended from ceiling

- Notes:**
- Graphics not included.
  - For interior use only.
  - The Stylmark Panorama™ is cUL listed.

### Double Side with Floor-Mount



Panorama™ Single and Double Sided *graphic sizes	
Inches	Millimeters
23.5" x 24"	596.9 x 609.6
23.5" x 28"	596.9 x 711.2
23.5" x 40"	596.9 x 1016.0

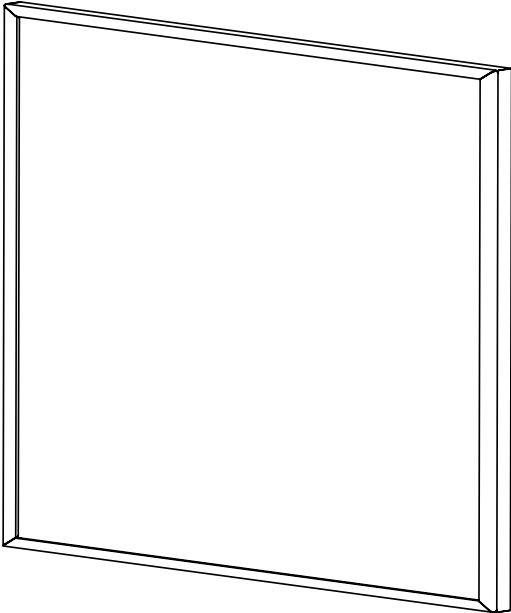
Panorama™ Double Sided - Floor Mount *graphic sizes	
Inches	Millimeters
23.5" x 52"	596.9 x 1320.8
23.5" x 64"	596.9 x 1625.6
23.5" x 76"	596.9 x 1930.4



# Backlit Displays and Light Boxes

## LED Backlit Display

Stylmark's ultra-slim profile LED light box offers superb illumination and aesthetics that provide exceptional visual impact to any graphic communications. Available in single-sided or double-sided, these LED light boxes may be suspended from the ceiling or mounted on pedestals for independent placement



LED Backlit Display	
*graphic sizes	
Inches	Millimeters
20" x 24"	508.0 x 609.6
22" x 28"	558.8 x 711.2
24" x 30"	609.6 x 762.0
24" x 36"	609.6 x 914.4
30" x 40"	762.0 x 1016.0
36" x 48"	914.4 x 1219.2

**Note:** Call Stylmark Customer Service for custom size quotes

- Notes:**
- Graphics not included.
  - Double-sided unit is available.
  - For interior use only.

# Frameless Fabric Displays

## StretchLite™



### Outside Dimensions

- Same as nominal

### Visual Area

- Same as nominal

### Depth

- 101.6mm

### Options

- Pedestal with feet

StretchLite™	
*graphic sizes	
Inches	Millimeters
24" x 30"	609.6 x 762.0
24" x 36"	609.6 x 914.4
36" x 48"	914.4 x 1219.2
48" x 96"	1219.2 x 2438.4
72" x 96"	1828.8 x 2438.4
96" x 120"	2438.4 x 3048.0

**Note:** Call Stylmark Customer Service for custom size quotes

## StretchFrame™



### Outside Dimensions

- Same as nominal

### Visual Area

- Same as nominal

### Options

- Available pedestal with feet
- Double-sided unit

### Depth

- 19.1mm single-side unit
- 76.2mm double-side unit

StretchFrame™	
*graphic sizes	
Inches	Millimeters
24" x 30"	609.6 x 762.0
24" x 36"	609.6 x 914.4
36" x 48"	914.4 x 1219.2
48" x 96"	1219.2 x 2438.4
72" x 96"	1828.8 x 2438.4
96" x 120"	2438.4 x 3048.0

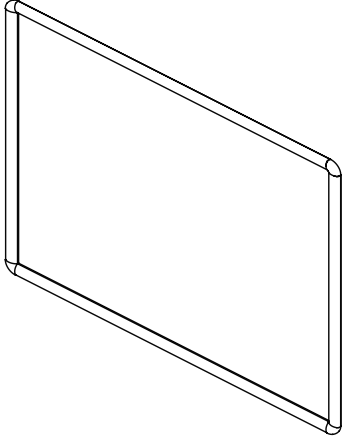
**Note:** Call Stylmark Customer Service for custom size quotes

- Notes:**
- Graphics not included.
  - Units larger than 1219.2mm x 2438.4mm typically shipped in sections.
  - For interior use only.

# Graphic Frames

## PrintFrames™

### 25.4mm PrintFrame™



**Outside Dimensions**

- Add 31.8mm to nominal size in each dimension

**Visual Area**

- Subtract 19.1mm from nominal size in each dimension

**Graphic Size**

- Same as nominal size

**Depth**

- 19.1mm

**Options**

- Round or square (mitered) corners

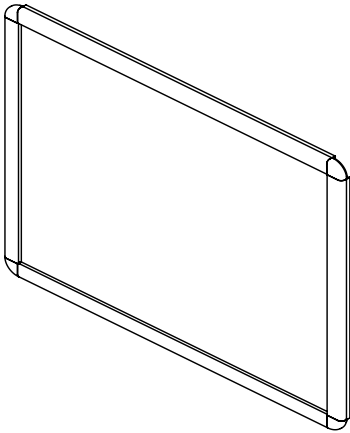
**Print Frame™ Single Sided - 25.4mm**

\*graphic sizes

Inches	Millimeters
8 1/2" x 11"	215.9 x 279.4
22" x 28"	558.8 x 711.2
24" x 30"	609.6 x 762.0
24" x 36"	609.6 x 914.4
30" x 40"	762.0 x 1016.0
36" x 48"	914.4 x 1219.2

**Note:** Call Stylmark Customer Service for custom size quotes

### 34.9mm PrintFrame™



**Outside Dimensions**

- Add 50.8mm to nominal size in each dimension

**Visual Area**

- Subtract 19.1mm from nominal size in each dimension

**Graphic Size**

- Same as nominal size

**Depth**

- 20.6mm single-side unit
- 63.5mm double-side unit

**Options**

- Double-sided unit
- Pedestal with feet
- Round or square (mitered) corners

**Print Frame™ Single Sided - 34.9mm**

\*graphic sizes

Inches	Millimeters
8 1/2" x 11"	215.9 x 279.4
22" x 28"	558.8 x 711.2
24" x 30"	609.6 x 762.0
24" x 36"	609.6 x 914.4
30" x 40"	762.0 x 1016.0
36" x 48"	914.4 x 1219.2

**Print Frame™ Double Sided - 34.9mm**

\*graphic sizes

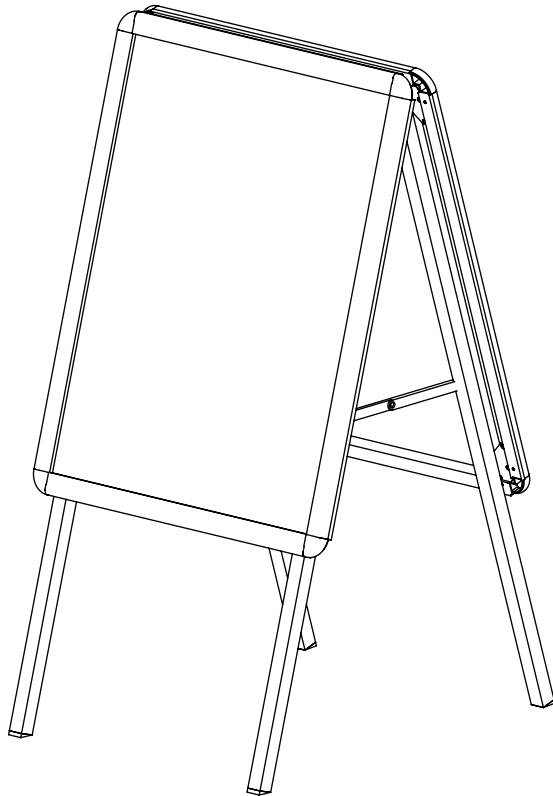
Inches	Millimeters
22" x 28"	558.8 x 711.2
24" x 30"	609.6 x 762.0
24" x 36"	609.6 x 914.4
30" x 40"	762.0 x 1016.0
36" x 48"	914.4 x 1219.2

**Note:** Call Stylmark Customer Service for custom size quotes

- Notes:**
- Graphics not included.
  - Available with rounded or square (mitered) corners.
  - For interior use only.

# Graphic Frames

## A-Frame™



A-Frame™ 34.9mm *graphic sizes	
Inches	Millimeters
22" x 28"	558.8 x 711.2
24" x 30"	609.6 x 762.0
30" x 40"	762.0 x 1016.0

**Note:** Call Stylmark Customer Service for custom size quotes

### Outside Dimensions

- Add 50.8mm to nominal size in each dimension

### Visual Area

- Subtract 19.1mm from nominal size in each dimension

### Graphic Size

- Same as nominal size

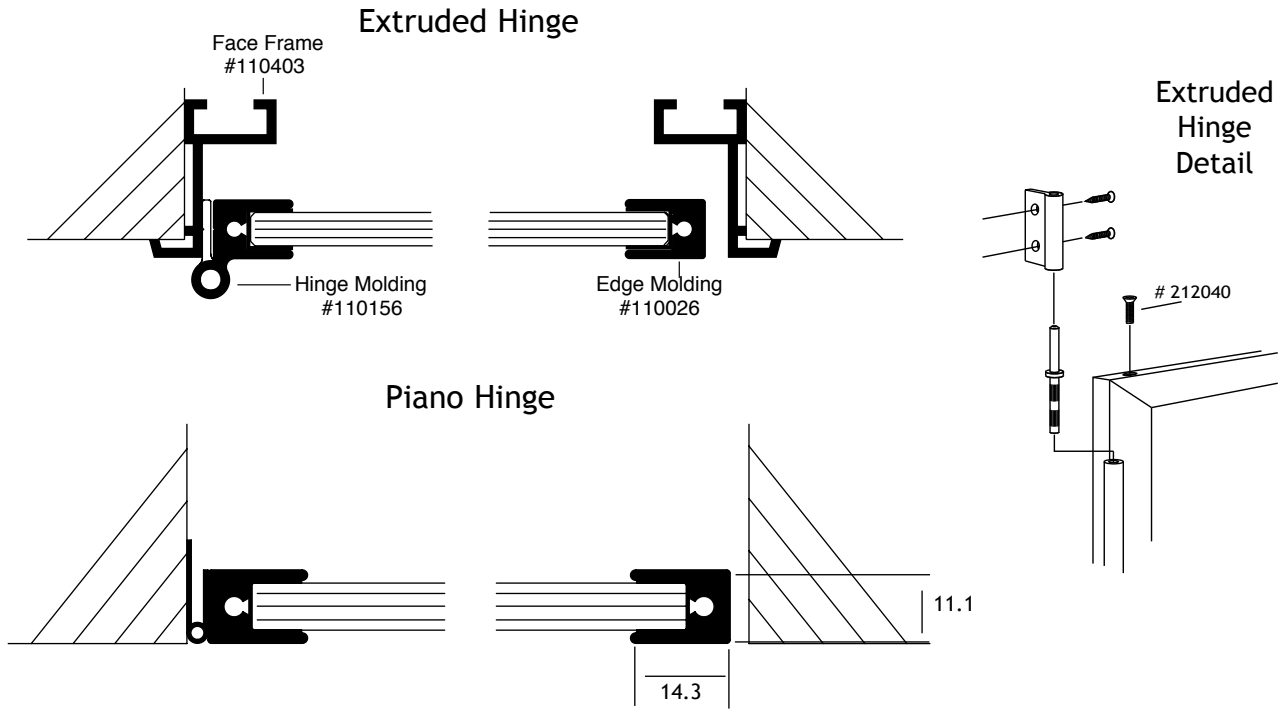
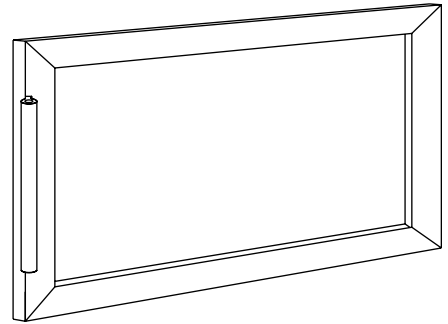
### Depth

- 20.6mm per side

- Notes:**
- Graphics not included.
  - For interior or exterior use.
  - Wind-resistant protective sheet is available.
  - Tamper-resistant feature is available.

# Standard Aluminum Hinged Door Frames

Stylmark's Aluminum Standard Hinged Door Frames hold a single panel of 6.4mm thick. The frame is constructed with a small 14.3mm edge molding, creating a virtually seamless hinge. Piano hinges are also available to accommodate larger sized door frames. Locks are not available. Standard hinged door frames can be used with our Face Frames (as shown on page 10) for an elegant visual display that captures viewer's attention quickly.



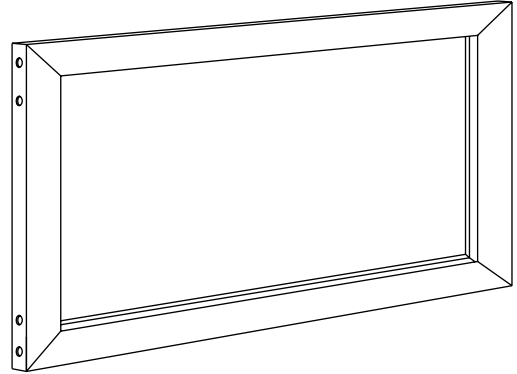
SIZE LIMITATIONS	MAXIMUM WIDTH	MAXIMUM HEIGHT
EXTRUDED HINGE	609.6	1219.2
PIANO HINGE	914.4	2438.4

STANDARD ALUMINUM HINGED DOOR FRAMES		
MODEL #	DESCRIPTION	PANEL THICKNESS
610135	FRAME WITH EXTRUDED HINGE (NO LOCK/NO LATCH)	6.4
610176	FRAME WITH PIANO HINGE (NO LOCK/NO LATCH)	6.4

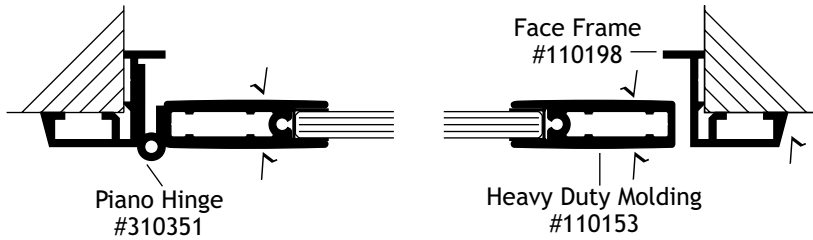
√ = finished surface

# Heavy Duty Aluminum Hinged Door Frames

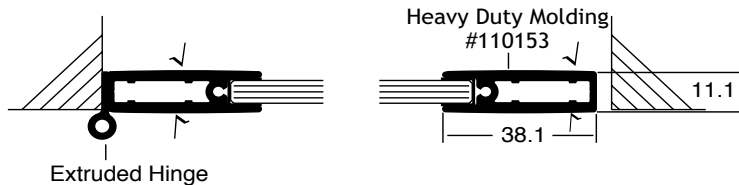
Heavy Duty Hinged Door Frames are designed for maximum durability. Recessed 127.0mm steel corner brackets support mitered corners with ease. Piano hinges provide the extra strength larger openings require, while extruded hinges provide a clean, “invisible” look for smaller openings. This frame can be used with a Face Frame as shown on page 10, and you can choose from either a cam lock or push-release latch. Fabricated assemblies include glazing vinyl for a 6.4mm thick panel.



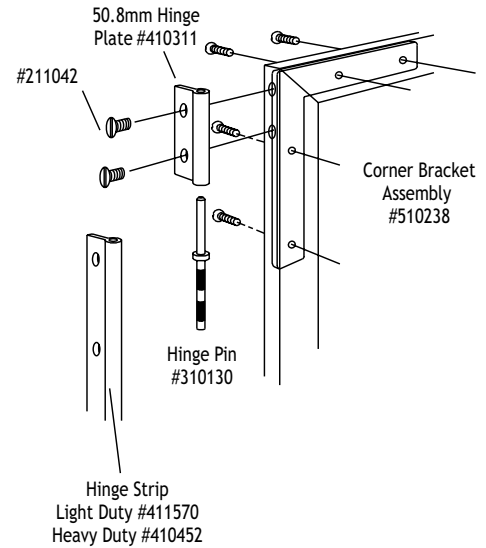
## Piano Hinge



## Extruded Hinge



## Steel Corner Bracket and Hinge



√ = finished surface

# Heavy Duty Aluminum Hinged Door Frames

## Hinges

Door Frames can be ordered with either an extruded hinge or a piano hinge. Extruded hinges provide a clean, “invisible” look for smaller openings. Piano Hinges supply greater strength for frames with larger openings.

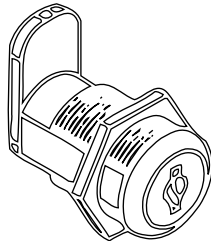
SIZE LIMITATIONS	MAXIMUM WIDTH	MAXIMUM HEIGHT
EXTRUDED HINGE	609.6	1219.2
PIANO HINGE	914.4	2438.4

These size limitations apply to side hinges only. You can enlarge the width capabilities of your frame by specifying top or bottom hinges.

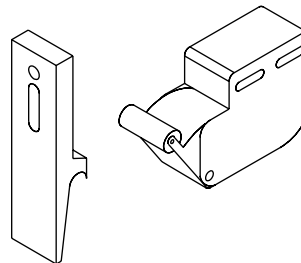
## Locks/Latches

Choose from a push-release latch or a cam lock.

**Part #510199**  
Cam Lock



**Part #510349**  
Push Latch

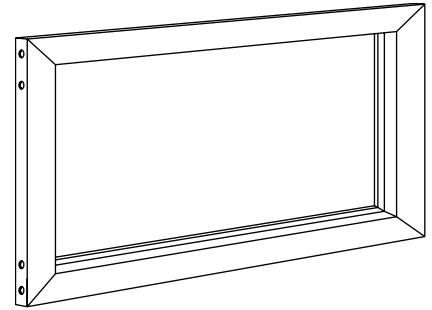


HEAVY DUTY ALUMINUM HINGED DOOR FRAMES		
MODEL #	DESCRIPTION	PANEL THICKNESS
610136	HEAVY DUTY FRAME WITH EXTRUDED HINGE AND LATCH	6.4
610137	HEAVY DUTY FRAME WITH EXTRUDED HINGE AND LOCK	6.4
610138	HEAVY DUTY FRAME WITH PIANO HINGE WITH LATCH	6.4
610139	HEAVY DUTY FRAME WITH PIANO HINGE WITH LOCK	6.4
610177	HEAVY DUTY FRAME WITH EXTRUDED HINGE AND LOCK	6.4

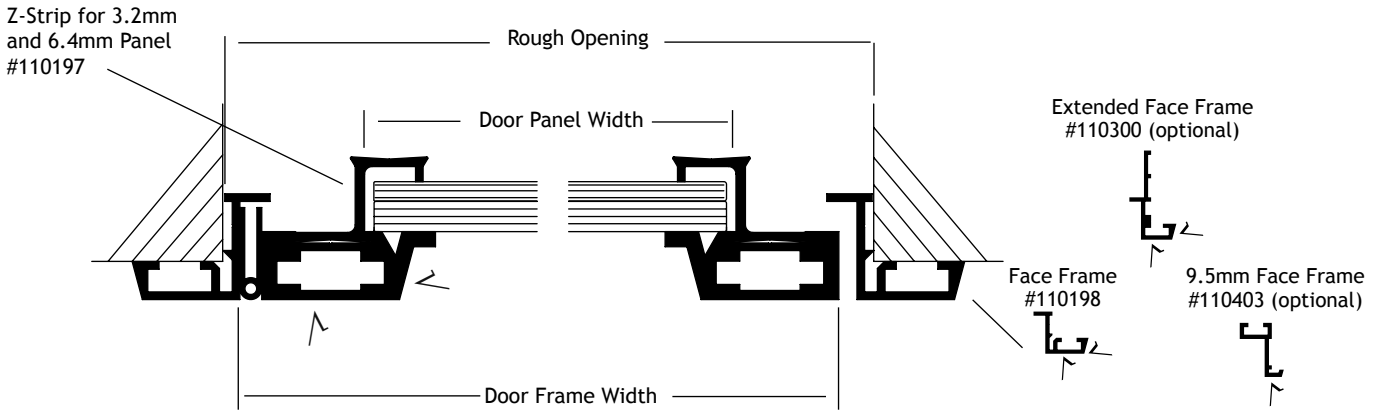
Notes: • Model #610177 does not include a face frame.

# Aluminum Transparency Frames

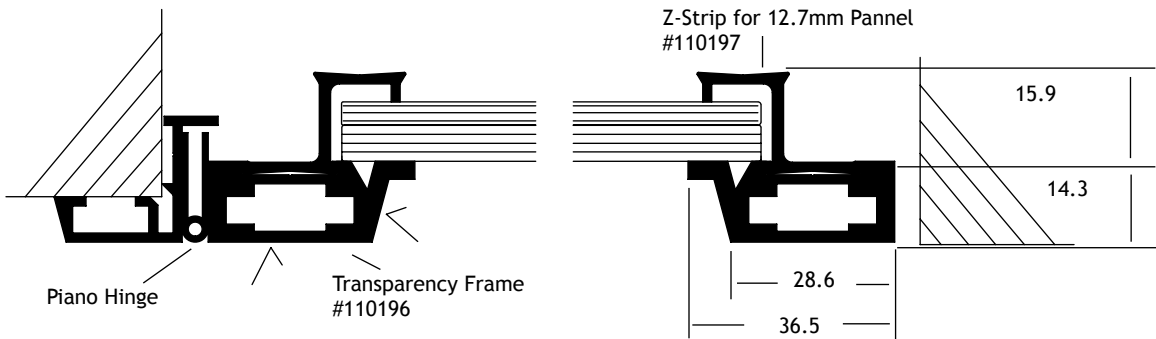
Stylmark's Aluminum Transparency Frames hold transparencies between two glazing panels in various thicknesses, which can then be backlit to dramatically highlight your product. Frames swing open on seam-free extruded or piano hinges, allowing you to change images quickly and easily. Secure your frame in its closed position using a push-release latch that is hidden inside the frame cavity, or choose a cam lock to prevent unwanted entry. Stylmark's Aluminum Transparency Frames are easy to assemble and mount, and are available in hundreds of color and finish combinations.



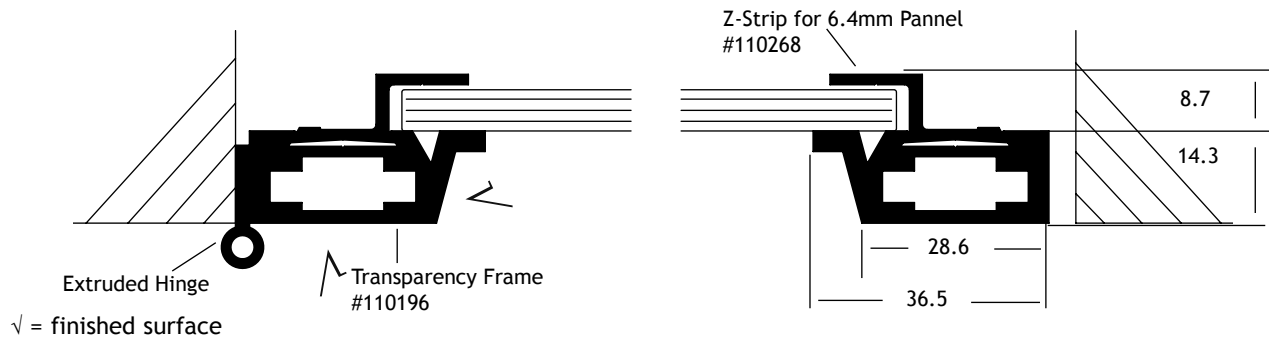
## Aluminum Transparency Frame: (1) 3.2mm panel, (1) 6.4mm panel, Piano Hinge



## Aluminum Transparency Frame: (2) 6.4mm panels, Piano Hinge



## Aluminum Shadow Box Frame: (1) 6.4mm panel, Extruded Hinge





# Aluminum Transparency Frames

## Hinges

Transparency Frames can be ordered with either an extruded hinge or a piano hinge. Extruded hinges are seam-free, and are ideal for use in frames measuring less than 1219.2mm high. Piano Hinges supply greater strength for frames over 1219.2mm high. You can enlarge the width capabilities of your frame by specifying top or bottom hinges.

SIZE LIMITATIONS	MAXIMUM WIDTH	MAXIMUM HEIGHT
EXTRUDED HINGE	609.6	1219.2
PIANO HINGE	914.4	2438.4

These size limitations apply to side hinges only.  
You can enlarge the width capabilities of your frame  
by specifying top or bottom hinges.

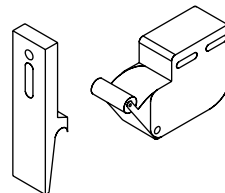
## Locks/Latches

Choose from either a push-release latch that is hidden inside the frame cavity, or a cam lock to prevent unwanted entry.

**Part #510199**  
Cam Lock



**Part #510349**  
Push Latch

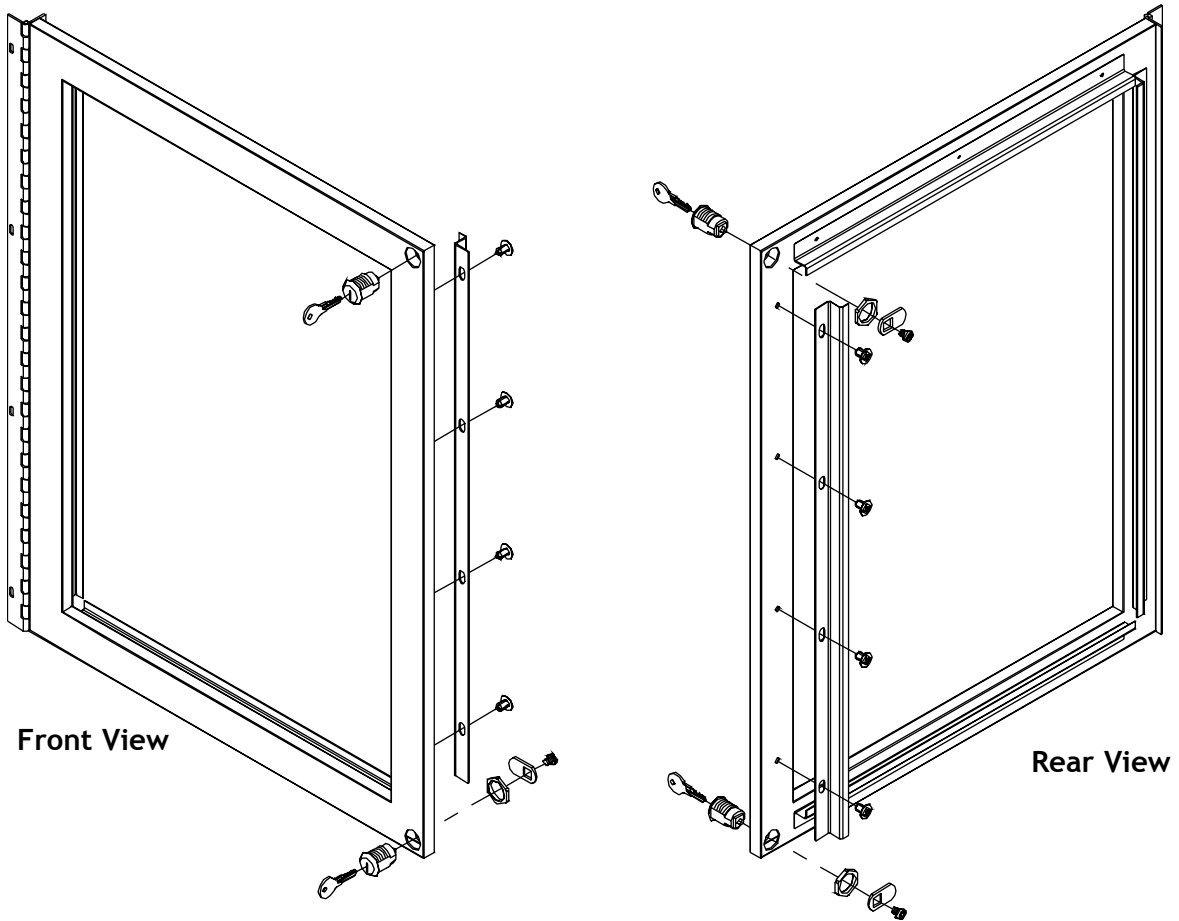


TRANSPARENCY FRAMES		
MODEL #	DESCRIPTION	TOTAL PANEL THICKNESS
610130	FRAME WITH PIANO HINGE AND LATCH	9.5 - 12.7
610131	FRAME WITH EXTRUDED HINGE AND LATCH	9.5 - 12.7
610132	FRAME WITH PIANO HINGE AND LOCK	9.5 - 12.7
610133	FRAME WITH EXTRUDED HINGE AND LOCK	9.5 - 12.7

SHADOW BOXES		
MODEL #	DESCRIPTION	TOTAL PANEL THICKNESS
610150	FRAME WITH PIANO HINGE AND LATCH	6.4
610151	FRAME WITH EXTRUDED HINGE AND LATCH	6.4
610152	FRAME WITH PIANO HINGE AND LOCK	6.4
610153	FRAME WITH EXTRUDED HINGE AND LOCK	6.4

# Steel Transparency Frames

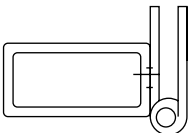
Stylmark's Stainless Steel Transparency Frames hold art or advertising between two glazing panels. The frame can then be backlit to dramatically highlight your product. Frame members are constructed of durable 16 gauge stainless steel with seamless welded corners that give the frame a clean and stylish look. Choose from five unique stainless steel finishes that range from mirror polished to satin brushed. Stainless Steel Transparency Frames ship as a welded assembly, making installation simple.



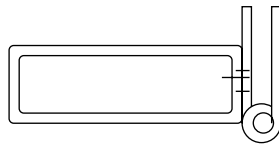
## Tube Options

Choose from two tube weldments:

25.4mm x 12.7mm  
Tube Weldment



38.1mm x 12.7mm  
Tube Weldment



# Steel Transparency Frames

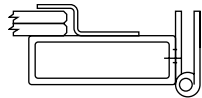
## Hinges

Stainless Steel Transparency Frames can be ordered with either a side or top/bottom piano hinge. The maximum finished frame sizes for each differ, as shown below.

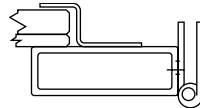
SIZE LIMITATIONS	MAXIMUM WIDTH	MAXIMUM HEIGHT
SIDE HINGE	914.4	2438.4
TOP BOTTOM HINGE	2438.4	1066.8

## Z-Strips

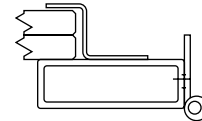
Z-strips hold the panels of glass in place. Three are welded to sides of the frame, and one is removable to allow for installation of the glass panels. Various sizes of Z-Strips are available to fit the following combinations of panel thicknesses (shown here welded with 38.1mm x 12.7mm tube):



(2) 3.2mm Panels



(1) 3.2mm panel  
(1) 6.4mm panel



(2) 6.4mm panels

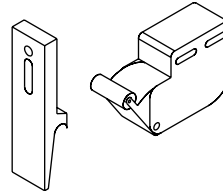
## Locks/Latches

Choose from either a push-release latch or a cam lock to prevent unwanted entry.

**Part #510199**  
Cam Lock



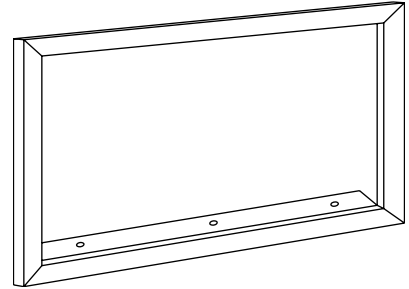
**Part #510349**  
Push Latch



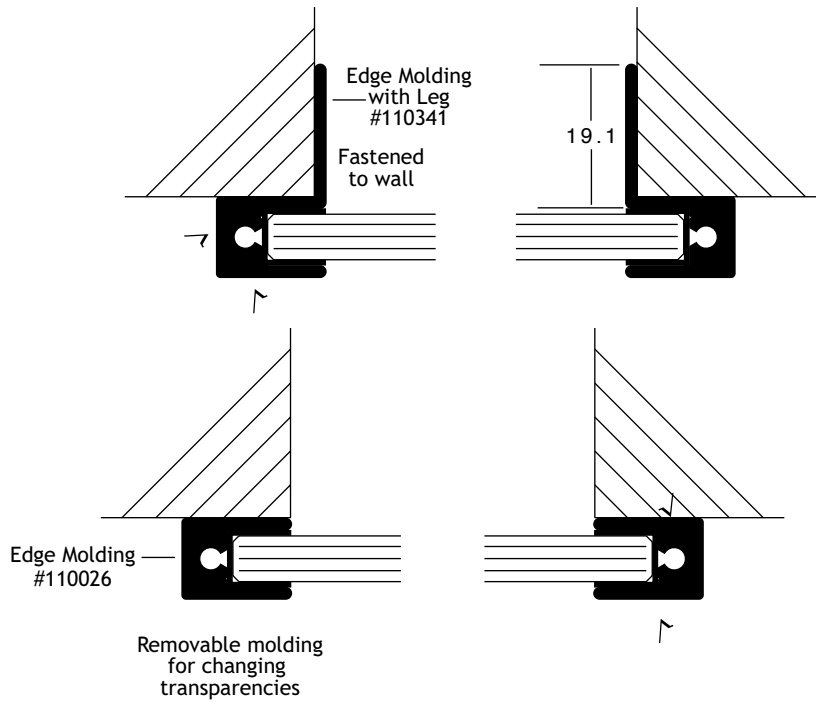
STAINLESS STEEL TRANSPARENCY FRAMES		
MODEL #	DESCRIPTION	TOTAL PANEL THICKNESS
618003	38.1 x 12.7 WITH ONE LOCK	6.4, 9.5 OR 12.7
618004	38.1 x 12.7 WITH TWO LOCKS	6.4, 9.5 OR 12.7
618005	25.4 x 12.7 WITH ONE LATCH	6.4, 9.5 OR 12.7
618006	38.1 x 12.7 WITH TWO LATCHES	6.4, 9.5 OR 12.7

# Aluminum Stationary Frames

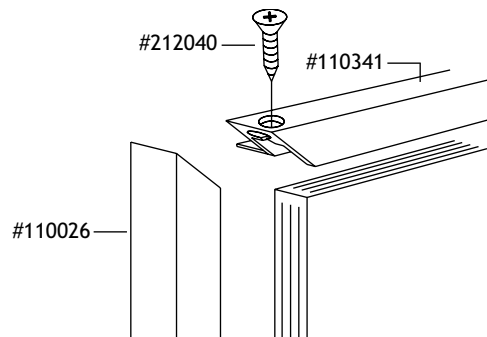
With a 14.3mm edge channel, the Aluminum Stationary Frame can be used as an attractive transparency frame. A typical four-sided frame has two permanent channels that are affixed to the wall with legs, and two removable channels to slide your glass and/or artwork out. We can fabricate the frame to fit your sizing needs, and it is available in a straight or curved option.



**Part #610166**  
Aluminum Stationary Frame



**Removable Channel Detail**

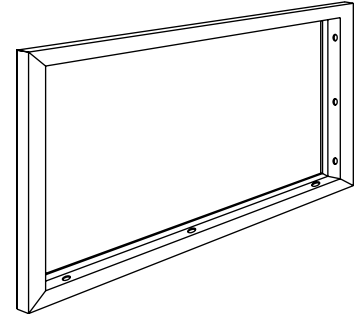


√ = finished surface

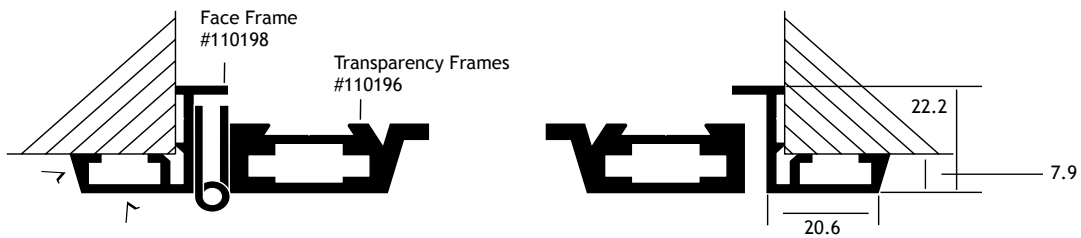
- Notes:**
- Part #110341 - Used for top and bottom frame.
  - Part #110026 - Used as side molding.

# Aluminum Face Frames

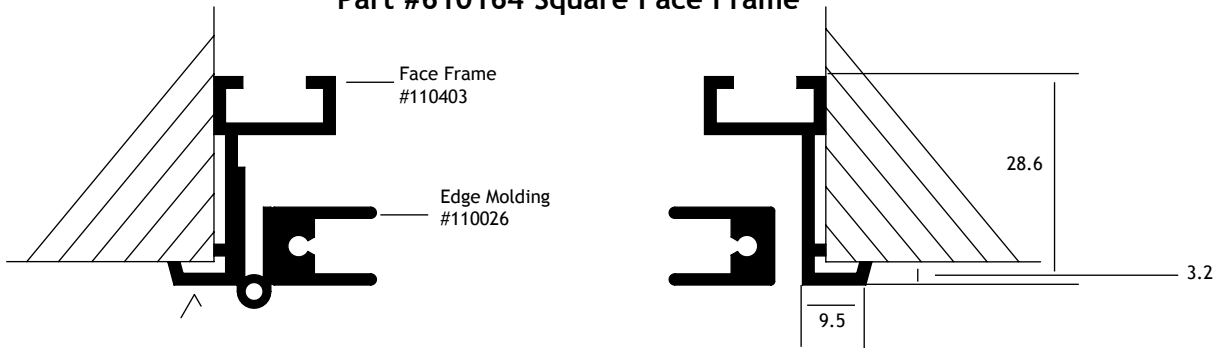
Stylmark created these decorative Face Frames to finish your rough openings with style. The Face Frame is easy to install with our Hinged Doors and Transparency Frames. Hidden steel mitered corner brackets hold corners tightly together for an attractive, seamless look.



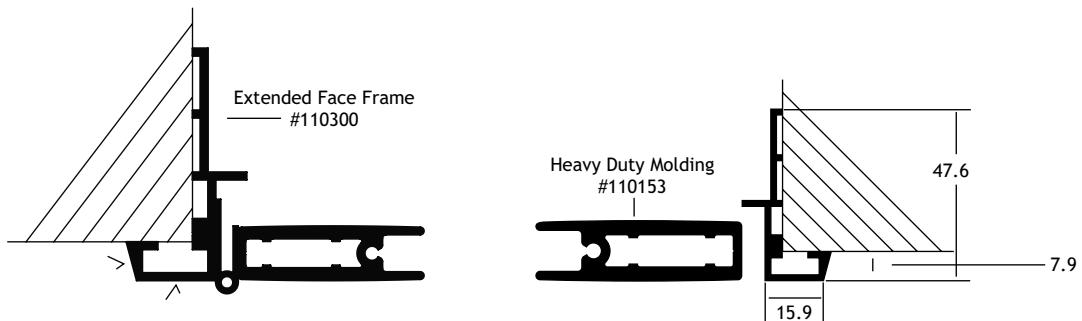
**Part #610142 Face Frame**



**Part #610164 Square Face Frame**

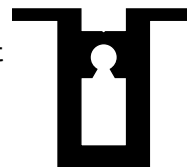


**Part #610156 Face Frame**



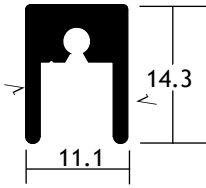
**Part #110220 Mullion**

This provides separation and support for multiple door systems.

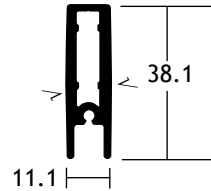


√ = finished surface

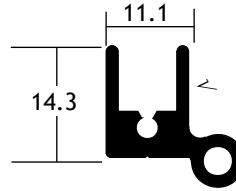
**Part #110026**  
Edge Molding



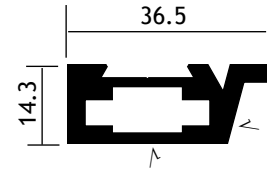
**Part #110153**  
Heavy Duty Molding



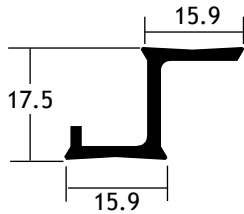
**Part #110156**  
Hinge Molding



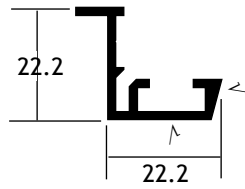
**Part #110196**  
Transparency Frame



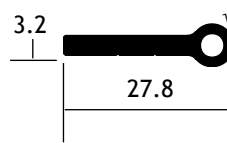
**Part #110197**  
Z-Strip 12.7mm Panel



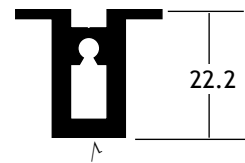
**Part #110198**  
Face Frame



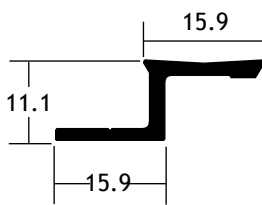
**Part #110204**  
Heavy Duty Hinge Strip



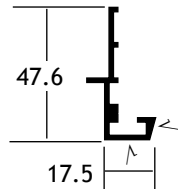
**Part #110220**  
Face Frame Mullion



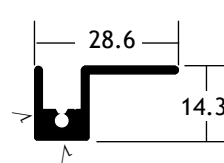
**Part #110268**  
Z-Strip 1/4" Panel



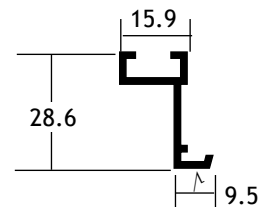
**Part #110300**  
Extended Face Frame



**Part #110341**  
Edge Molding w/Leg



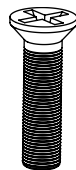
**Part #110403**  
9.5mm Face Frame



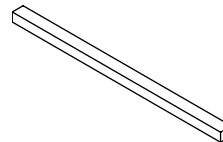
**Part #211042**  
Flat Head Machine Screw



**Part #212040**  
#6 x 15.9 Hinge Screw



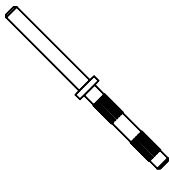
**Part #226019**  
Foam Tape



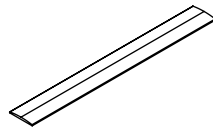
**With Holes: 224008**  
**Without Holes: 224009**  
38.1mm Piano Hinge



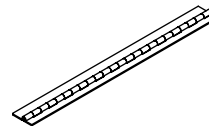
**Part #310130**  
Hinge Pin



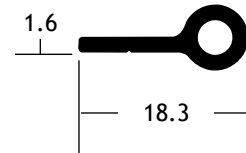
**Part #310345**  
Glide Strip



**Part #310351**  
Piano Hinge



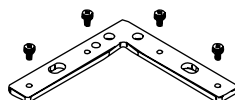
**Part #410311**  
50.8mm Hinge Plate



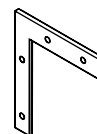
**Part #510199**  
Chrome Cam Lock Kit



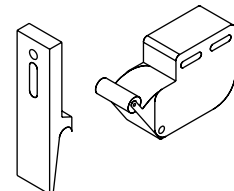
**Part #510237**  
Corner Bracket Assembly



**Part #510238**  
Corner Bracket Assembly



**Part #510349**  
Mini Latch Assembly





Flexible • Collaborative • Transformative • Solutions

For companies that need more than “just the components”,  
Stylmark is a versatile manufacturer that creates the  
spectrum of essential elements - to create comprehensive  
and distinctive lifestyle environments.

Architectural Trim & Moldings  
Backlit Displays & Transparency Frames  
Complete Solutions & Specialty Fixtures  
Fitting Room Systems & Mirror Kits  
Framing & Partition Systems  
Hardware & Accessories  
Shelving  
Showcases

---



Inside Aluminium

Sandhill Barn

Sandhill Lane

Washington

West Sussex,

RH20 4TD

00 44 (0) 1903 893992

[info@insidealuminium.com](mailto:info@insidealuminium.com)

[www.insidealuminium.com](http://www.insidealuminium.com)

